

Type:  
Job:

**Fixture Options:**

Ordered Separately from Fixture  
See page 2

**Approvals:**

Fixture Catalog number:

Fixture and Finish

**Mounting Options:**

Ordered Separately from Fixture  
See pages 3-5

Date:  
Page: 1 of 5

## Specifications

**Lamp Housing:** Die-cast low copper aluminum, stainless steel fasteners and stainless steel set screw lock for aiming pivot.

**Aiming:** Aimable 358° vertically, horizontal aiming controlled by installation on mounting device.

**Ravenna Yoke:** Die-cast low copper aluminum, stainless steel fasteners and 1/2" NPSM brass nipple mount.

**Lens:** Tempered glass, 1/8" nominal thickness.

**Gasketing:** Silicone gaskets used throughout.

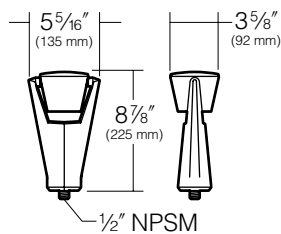
**Transformer:** Remote low voltage transformer required.

**Wiring:** 6' No. 18-2 12 volt cable with spade connectors for low voltage cable system connection.

**Driver/Optical System:** 3 LED emitters configured in a triangle array comprised together as a module. Each LED is encapsulated under a precision optical prism to produce a narrow flood pattern. The -40c driver is within the module and operates on 12V AC or DC current, 10 watt, 0.83 amp.

**Finish:** Each luminaire receives a fade and abrasion resistant, electrostatically applied, thermally cured, triglycidal isocyanurate (TGIC) polyester powdercoat finish. Standard colors include (BL) Black, (DB) Dark Bronze, Verde Green (GR).

**Certification:** UL Listed to U.S. and Canadian safety standards for wet locations.



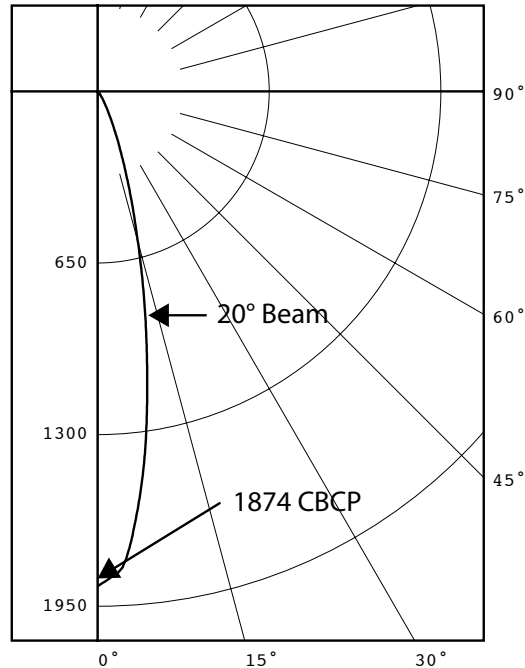
## ORDERING INFORMATION

**Fixture**

**Finish**

- KLVL271BL**
- KLVL271DB**
- KLVL271GR**

- Black
- Dark Bronze
- Verde Green



Catalog Number: KLVL271  
 Report Number: k103894  
 Voltage: 12 Watts: 10 Amps: 0.83  
 Lumens: 394 CBCP: 1874 Beam: 20°  
 CCT: 3000K Efficacy: 39.4 Lm/W



U.S. PATENT D407,842

KIM LIGHTING RESERVES THE RIGHT TO CHANGE SPECIFICATIONS WITHOUT NOTICE.

Type:

Job:

Page: 2 of 5



## Fixture Options

Ordered Separately from Fixture

<p><b>Lens Accessories</b>          Cat. No. (See right)  <input type="checkbox"/> No Option!</p>	<p><b>HL - Hex Cell Louver:</b> Constructed of hex cell aluminum louvers providing 45° cutoff, mounted in a circular frame, finished in baked high-heat flat black. Can be used in combination with colored lenses. Inserts behind lens. Cannot be used in combination with <b>SL</b> spread or <b>PL</b> prismatic lenses.</p> <p>Cat. No.  <input type="checkbox"/> <b>HL</b> Hex Cell Louver</p> <hr/> <p><b>PL - Prismatic Lens:</b> Softens lamp distribution and flattens beam spread. Best with flood lamps. Inserts behind lens. Cannot be used in combination with <b>HL</b> louver.</p> <p>Cat. No.  <input type="checkbox"/> <b>PL</b> Prismatic Lens</p> <hr/> <p><b>SL - Spread Lens:</b> Creates an oval beam pattern, more narrow in one beam axis. Best with spot lamps. Inserts behind lens. Cannot be used in combination with <b>HL</b> louver.</p> <p>Cat. No.  <input type="checkbox"/> <b>SL</b> Spread Lens</p>
<p><b>Transformer Options</b></p>	<p>See "12-15 Volt Variable Transformers" on kimlighting.com - Product Specifications - Landscape 12 Volt-120Volt section.</p>



Type:  
 Job:



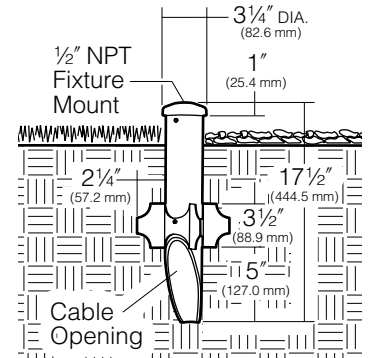
## Mounting Options

Ordered Separately from Fixture

### Landscape Light Post by Engineered Products Co.

- Cat. No.  
 EP17  
 No Option

PVC fixture molded in black with 1/2" NPT mount is corrosion free and UV resistant. Replaces EMT, conduit connectors and weatherproof boxes. 100% shatter resistant against denting and cracking. Angled bottom to eliminate cable congestion.  
 17 1/2" post length

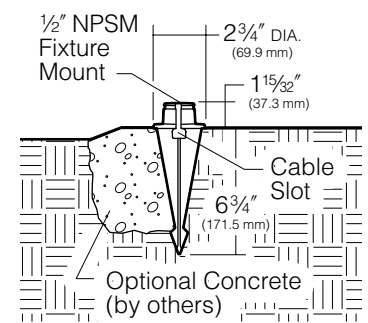


### Low Voltage Spear Mount

- Cat. No.      Finish  
 KLV400BL    Black  
 KLV400DB    Dark Bronze  
 KLV400GR    Verde Green  
 No Option"

Die-cast low copper aluminum with 1/2" NPSM fixture mount. Stainless steel set screw locks fixture into mount. Cable slot allows easy fixture mounting before or after installation in ground. Super TGIC powder coat paint over clear anodizing and titanated zirconium conversion coating.

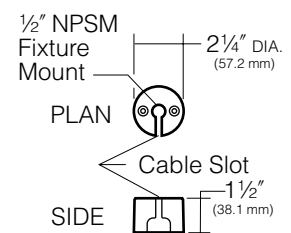
**Spear Mounting in Concrete**  
 The KLV400 must be installed in concrete.



### Low Voltage Surface Mount

- Cat. No.      Finish  
 KLV405BL    Black  
 KLV405DB    Dark Bronze  
 KLV405GR    Verde Green  
 No Option

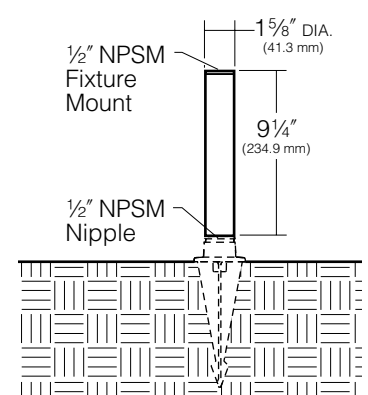
Die-cast low copper aluminum with 1/2" NPSM fixture mount. Stainless steel set screw locks fixture into mount. Two holes provided for flat head wood screws. Super TGIC powder coat paint over clear anodizing and titanated zirconium conversion coating.



### Extension Module

- Cat. No.      Finish  
 KLV415BL    Black  
 KLV415DB    Dark Bronze  
 KLV415GR    Verde Green  
 No Option

For raising fixtures to a height above foliage for efficient and unobstructed operation. Constructed of 1 5/8" diameter extruded aluminum with die-cast ends. 1/2" NPSM female thread on one end, and other end has a 1/2" NPSM solid brass nipple. Stainless steel allen head set screw locks fixture onto mount. Super TGIC powder coat paint over titanated zirconium conversion coating. Two modules may be stacked for additional height.



Type:

Job:



## Mounting Options

Ordered Separately from Fixture

### Brass In-grade Architectural Junction Box

Cat. No.

- JBR-2
- JBR-3
- JBR-21
- JBR-24
- No Option

Die-cast brass with 1/2" NPSM fixture mount and die-cast cover. Internal set screw provided for locking position. 18 cu in. internal volume.

- JBR-2** (2) 1/2" NPT in bottom
- JBR-3** (2) 3/4" NPT in bottom
- JBR-21** (2) 1/2" NPT in sides, (2) 1/2" NPT in bottom
- JBR-24** (4) 1/2" NPT in sides, (2) 1/2" NPT in bottom

All side taps provided with plugs.

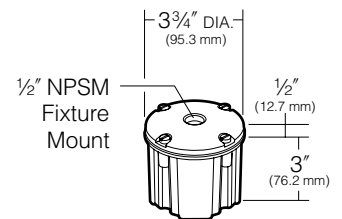
#### 25 Year Limited Warranty:

Solid brass junction boxes are warranted for 25 years, from date of sale, against manufacturing defects and failure due to corrosion.

#### Application Notes

- Creates a flush-mounted appearance.
- May be cast in concrete for increased stability.

**CAUTION:** Fixture stem and swivel must not contact soil or standing water. Provide drainage away from junction box.



### Composite In-Grade Architectural Junction Box

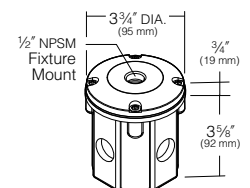
Cat. No.

- JBR-4
- JBR-5
- No Option

Composite box with 1/2" NPSM fixture mount and composite cover. 19 cu in. internal volume.

- JBR-4** (2) 3/4" NPT knockouts in bottom.  
(4) 3/4" NPT knockouts on sides.
- JBR-5** Same as above but with brass cover.

**CAUTION:** Fixture stem and swivel must not contact soil or standing water. Provide drainage away from J-Box.



### Brass In-grade Staked Junction Box

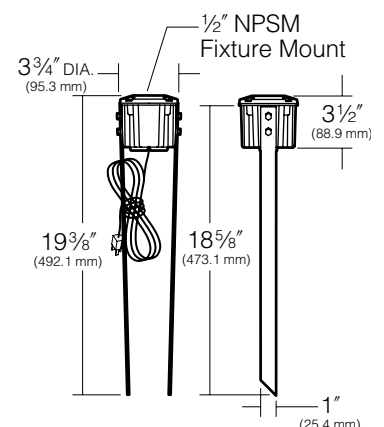
Cat. No.

- JBR30
- No Option

### JBR30 BRASS IN-GRADE STAKED JUNCTION BOX

Die-cast brass with 1/2" NPSM fixture mount and die-cast cover. Internal set screw provided for locking position. 18 cu in. internal volume.

(2) 1/2" NPT in bottom with (2) 19" long brass stakes



Type:  
 Job:



## Mounting Options

Ordered Separately from Fixture

### Stanchion Mount

- |   |             |
|---|-------------|
| Cat. No.                                  | Finish      |
| <input type="checkbox"/> <b>SM18/BL</b>   | Black       |
| <input type="checkbox"/> <b>SM18/DB</b>   | Dark Bronze |
| <input type="checkbox"/> <b>SM18/GR</b>   | Verde Green |
| <input type="checkbox"/> <b>No Option</b> |             |

3" O.D. by .188" wall cast aluminum with 1/2" NPSM fixture mount and hand hole with flush cover. Internal set screw fixture lock accessible through hand hole. Internal ground lug supplied with installed lead. Super TGIC powder coat paint over clear anodizing and titanated zirconium conversion coating.

